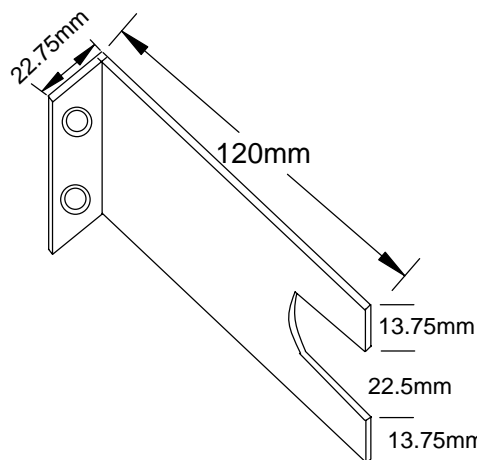
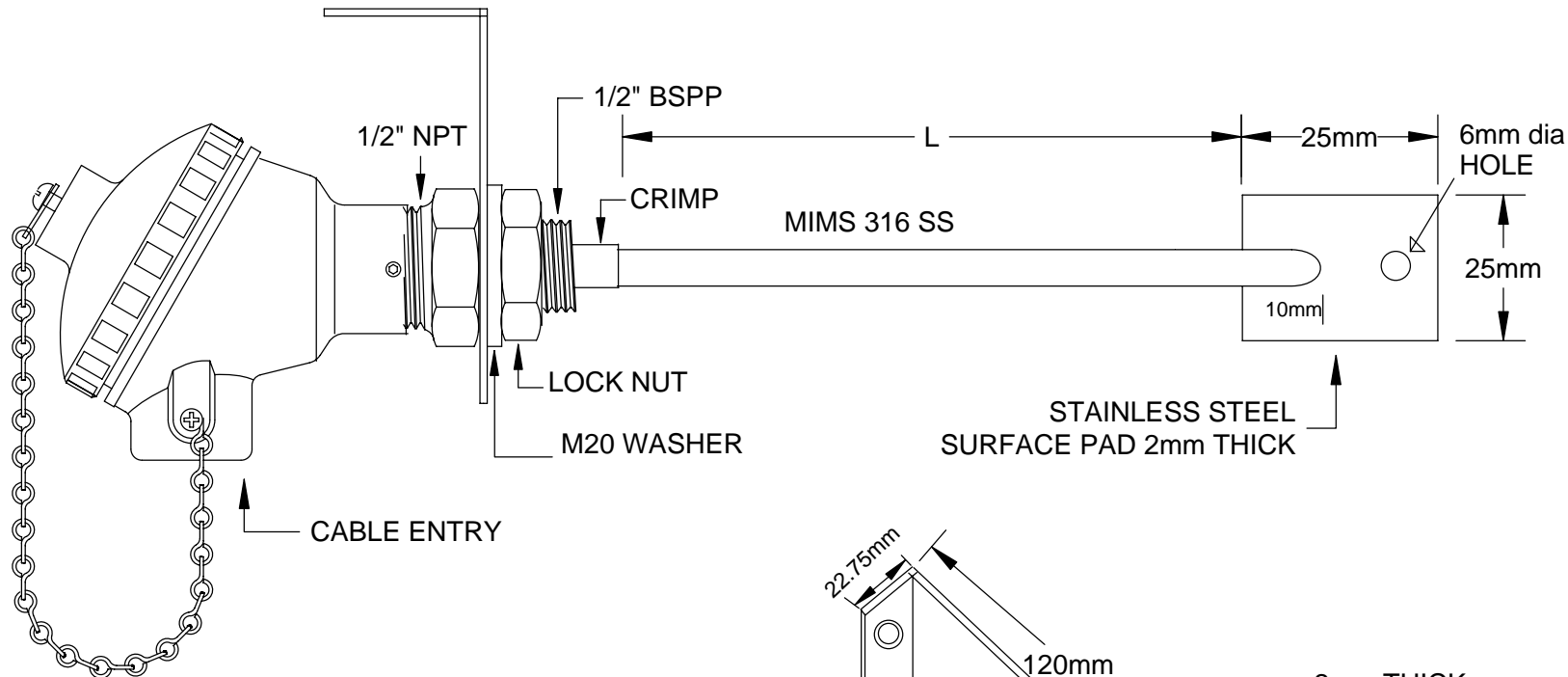


SS L BRACKET WITH 2 MOUNTING HOLES



2mm THICK
HOLES ARE 9.5mm DIA,
10.25mm FROM BOTTOM AND TOP EDGES
= CENTRE OF HOLE
8.25mm FROM SIDE EDGE
= CENTRE OF HOLE

- TYPE K THERMOCOUPLE
- TYPE J THERMOCOUPLE
- TYPE T THERMOCOUPLE
- TYPE N THERMOCOUPLE
- 3 WIRE RTD PT100
- 4 WIRE RTD PT100
- OPTION - Ex ia

MIMS SENSOR SURFACE MOUNT
LARGE ALUMINIUM TERMINAL HEAD
SKIN TEMPERATURE SENSOR

Compliance with ANSI AS/NZS 60079. 11.2006 Explosive Atmospheres,
Intrinsic safety Ex ia (1047 RTD & TC)

TEMPERATURE CONTROLS PTY LTD		Certificate No: QEC 14412 AS/NZS 9001:2000
<p>CONDITIONS</p> <p>THIS DRAWING IS OUR EXCLUSIVE PROPERTY AND MUST NOT BE COPIED OR HANDED TO ANY OTHER PARTIES WITH OUT WRITTEN PERMISSION. IT SHALL BE RETURNED UPON REQUEST</p>		SYDNEY : 7 YAMMA ST SEFTON , NSW 2162 PHONE : (02) 9721 8644 FAX : (02) 9738 9339 MELBOURNE : 8/280 Whitehall St YARRAVILLE VIC 3013 PHONE : (03) 9687 0000 FAX : (03) 9687 1900 EMAIL : sales@temperature.com.au
		<p>TITLE</p>
SIZE : A4	DATE : 17/09/10	DWG NO : SD 381
SCALE : NTS	DRAWING BY R.B	REV : 01

